

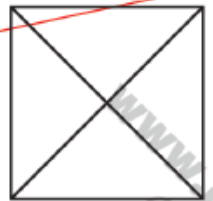
LEATHER
D/Y
STUDIO

3
SAMPLE NO.2

www.leatherdiystudio.com
www.etsy.com/shop/LeatherDIYStudio
Instagram: @leatherdiystudio
Contact: Info@leatherdiypattern.com

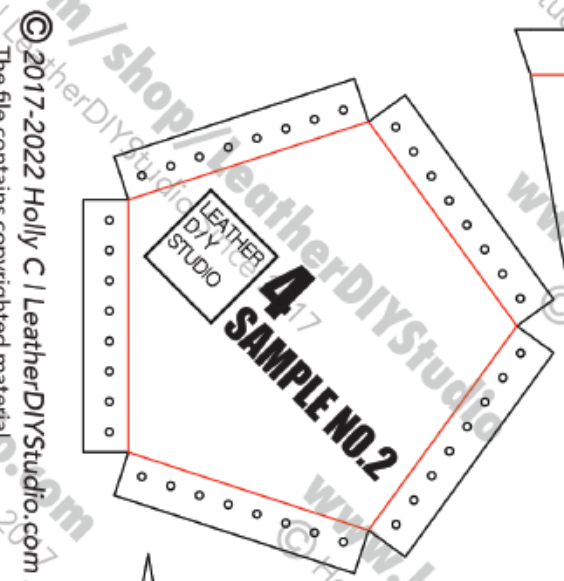


25mm x 25mm



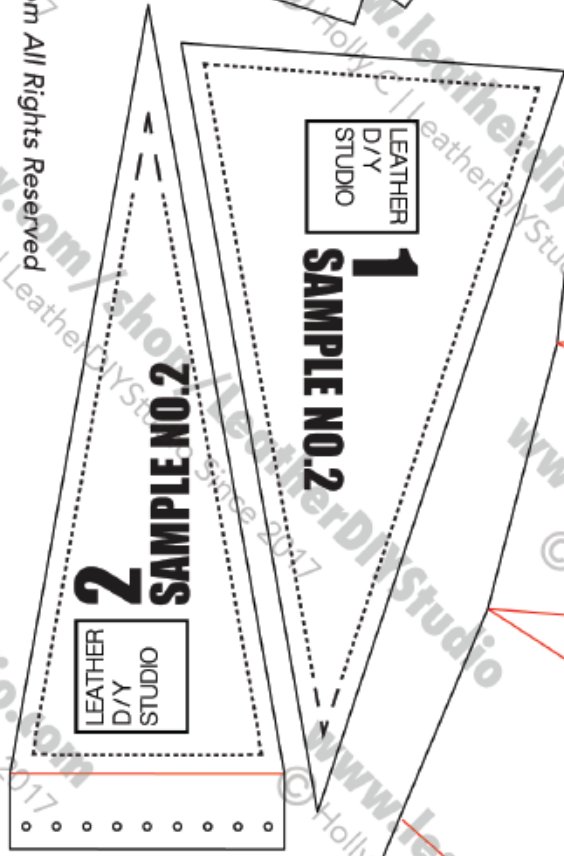
1inch x 1inch

Please use
those boxes to
check if every
thing prints in
correct scale



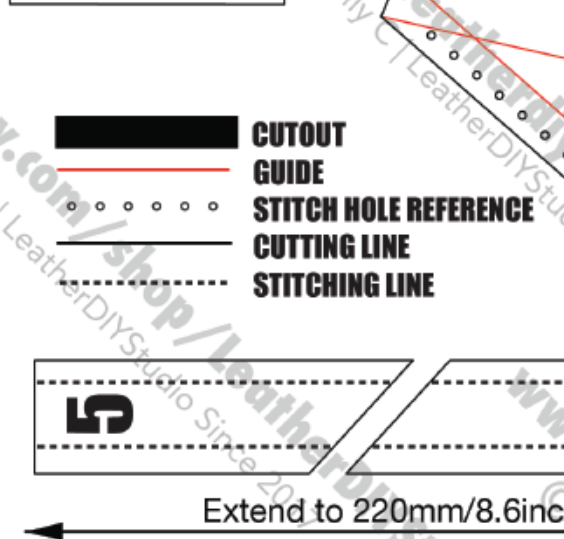
LEATHER
D/Y
STUDIO

4
SAMPLE NO.2



LEATHER
D/Y
STUDIO

1
SAMPLE NO.2



LEATHER
D/Y
STUDIO

2
SAMPLE NO.2

- CUTOUT**
- GUIDE**
- STITCH HOLE REFERENCE**
- CUTTING LINE**
- STITCHING LINE**

Extend to 220mm/8.6inch

© 2017-2022 Holly C | LeatherDIYStudio.com All Rights Reserved

The file contains copyrighted material.
You shall not share/resell/publish/distribute the content in any means without permission.